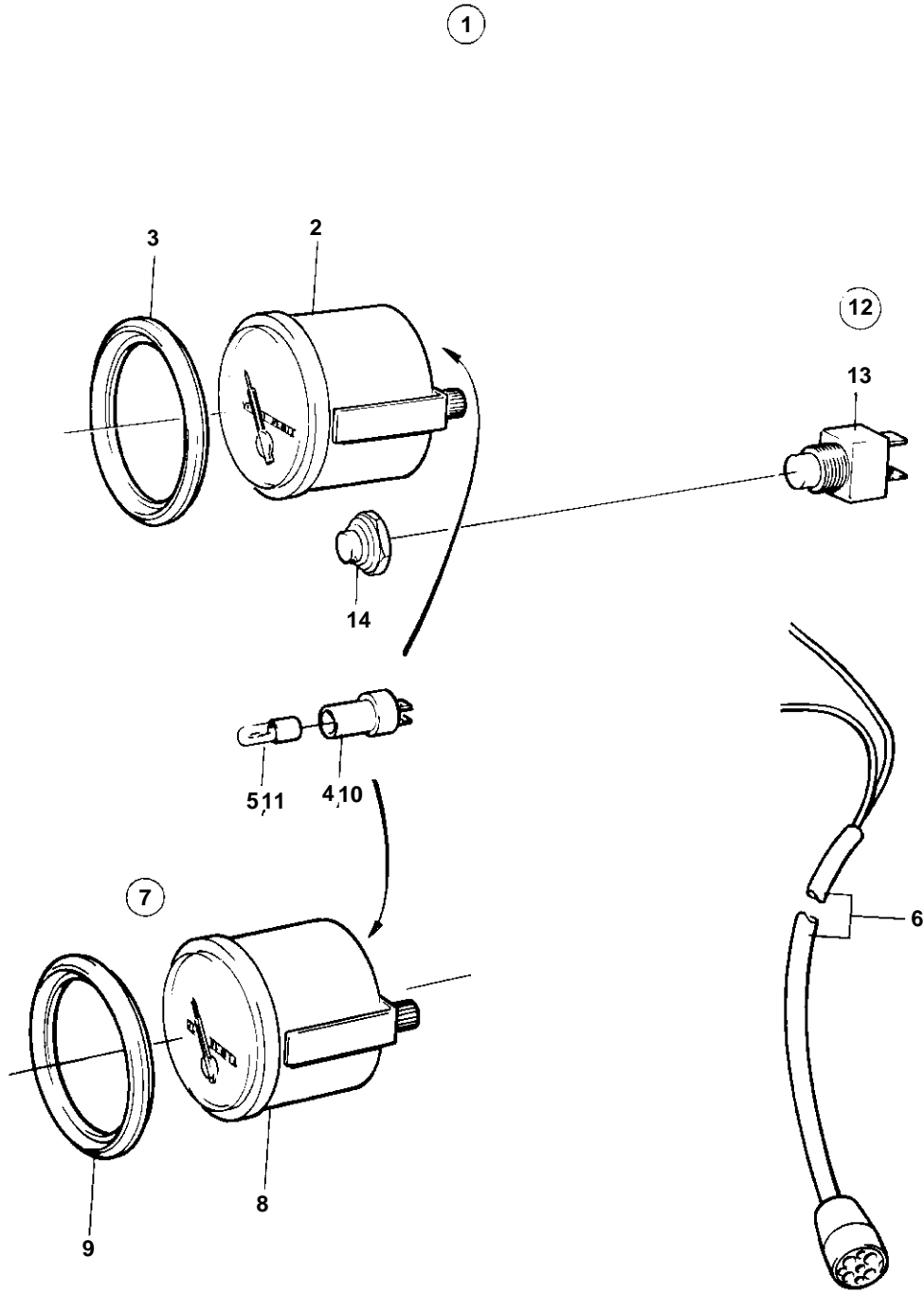


COMMON



9648

COMMON

REF	PART NO.	QTY	DESCRIPTION	NOTES
7	858878	1	Voltmeter kit	
8	828628	1	· Voltmeter	
9	858643	1	· Front ring	
10	808175	1	· Bulb socket	
11	19923	1	· Bulb	
12	828718	X	Switch	CLOSING DURING PRESSURE AND SPRING-LOADED.
	828719	X	Switch	CLOSING-BREAKING.
13	828584	1	· Switch	FOR 828718
	828585	1	· Switch	FOR 828719
14	828586	1	· Button	